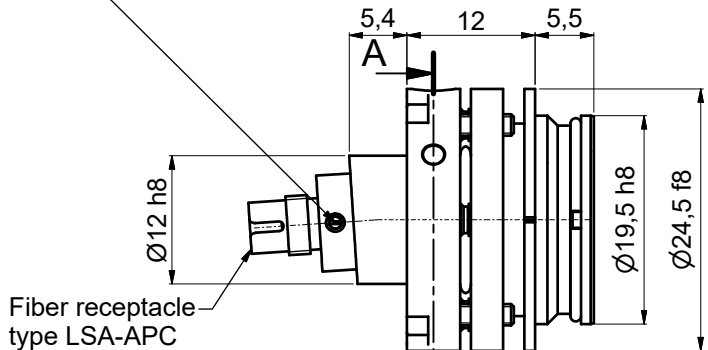
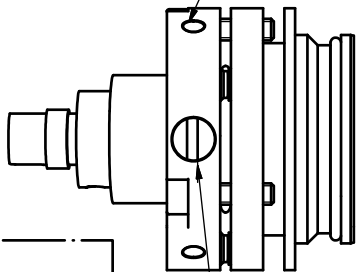


②! Pin screw for additional locking of the fiber ferrule:
 - before pulling the LSA-connector:
 unlock the pin screw.
 - before inserting the LSA-connector:
 make sure the ferrule receptacle is not blocked
 by the pin screw!



Fiber receptacle
 type LSA-APC

clamp screws for locking
 optics position (2x120°)
 using screw-driver
 size 1.2mm 9D-12 ②



adjustment of focus setting
 using eccentric-key 60EX-x
 ③ ④

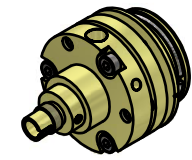
Thrust and tension screw (3x120°)
 for tilt adjustment
 with hex key wrench size 1.5mm
 50HD-15 ①

Thrust screw M3 max.torque 40Ncm

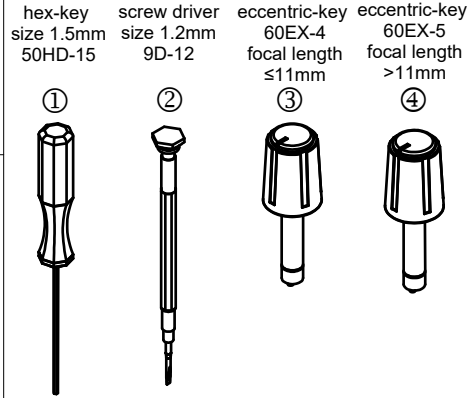
Tension screw M2 max.torque 20Ncm

adjustment of focus setting
 using eccentric-key 60EX-x
 ③ ④

clamp screws
 for locking optics position (2x120°)
 using screw-driver size 1.2mm
 9D-12 ②



Tools for assembly and adjustment



! Don't touch any other screws ! Not for manufacturing purposes

Dimensions DIN EN ISO 14405	Scale: 2:1	60SMF-LSA-4-XX-xx	
editor 14.10.2020 Tp		Date Name	
exam.		Date Name	
free		Date Name	
Schäfter+Kirchhoff OPTICS, METROLOGY, AND PHOTONICS		Laser beam coupler	
File: 010821190700.idw		60SMF-LSA-4-XX-xx	
Model: 010821190700.iam		Customer Drawing	
		0108-2119-0700	
		Size: A3	
		Page: 1	