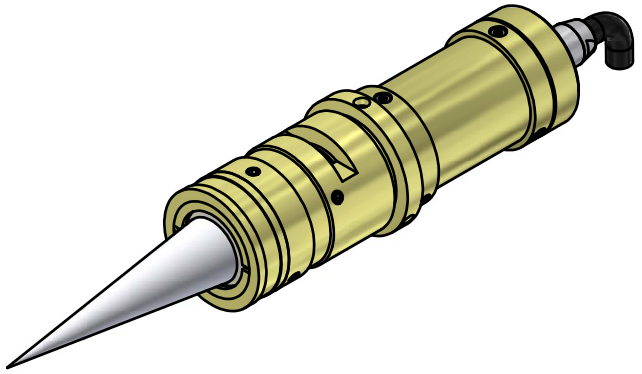
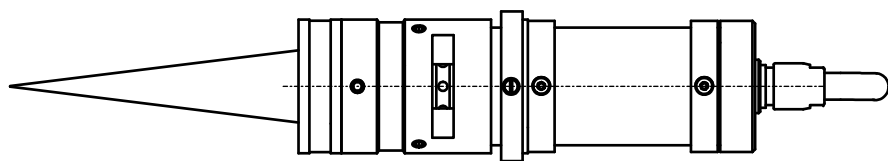
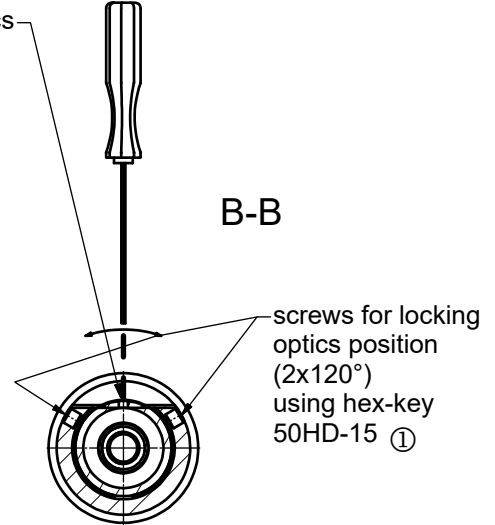
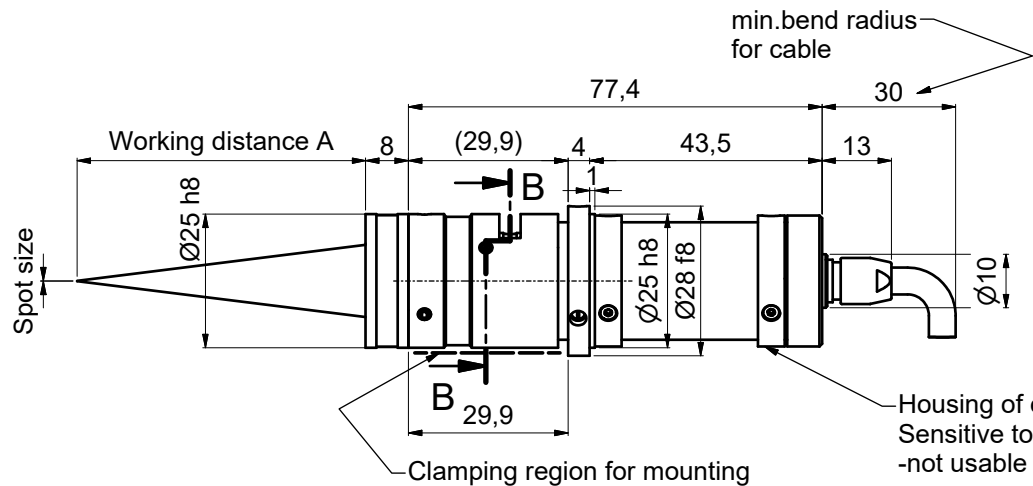


Laser power adjustment,  
turn clock wise to increase  
using screw-driver size 1.6mm  
9D-16 ②

adjustment of collimation optics  
by rotation the optics  
using hex-key 50HD-15 ①

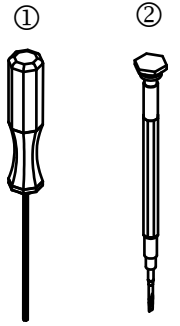


**! Don't touch any other screws !**

Tools for assambly  
and adjustment

hex-key  
size 1.5mm  
50HD-15

screw driver  
size 1.6mm  
9D-16



Allgemein- toleranz ISO 2768 - f		Maßstab: 1:1	
LNC-13M+56CM		LNC-13M+56CM X=8	
Laser Diode Modules with Low Coherence		9304-1200-0140	
Schäfter&Kirchhoff OPTO-SENSORIK UND MESSTECHNIK OPTIK-ENTWICKLUNG/ELEKTRONIK/SENSORTECHNIK/OPTIKFIBRE		Blatt A3	
Zust.		Blatt: 1	
Änderungen		Blatt: 1	
Datum		Blatt: 1	
Name		Blatt: 1	
Datei: 930412000140.idw		Blatt: 1	
Model: 930412000140.iam		Blatt: 1	