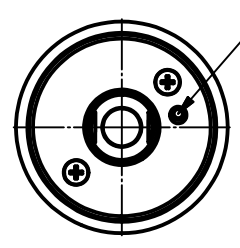
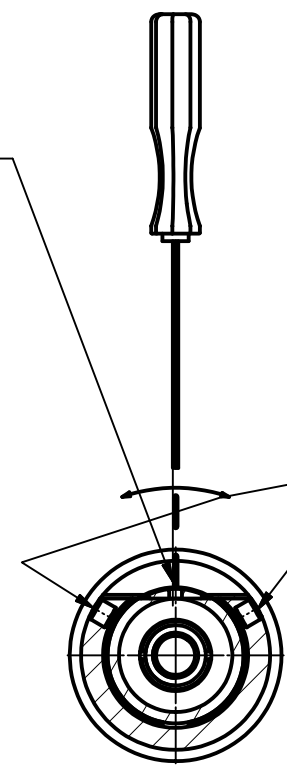


Laser power adjustment, clockwise twist to increase

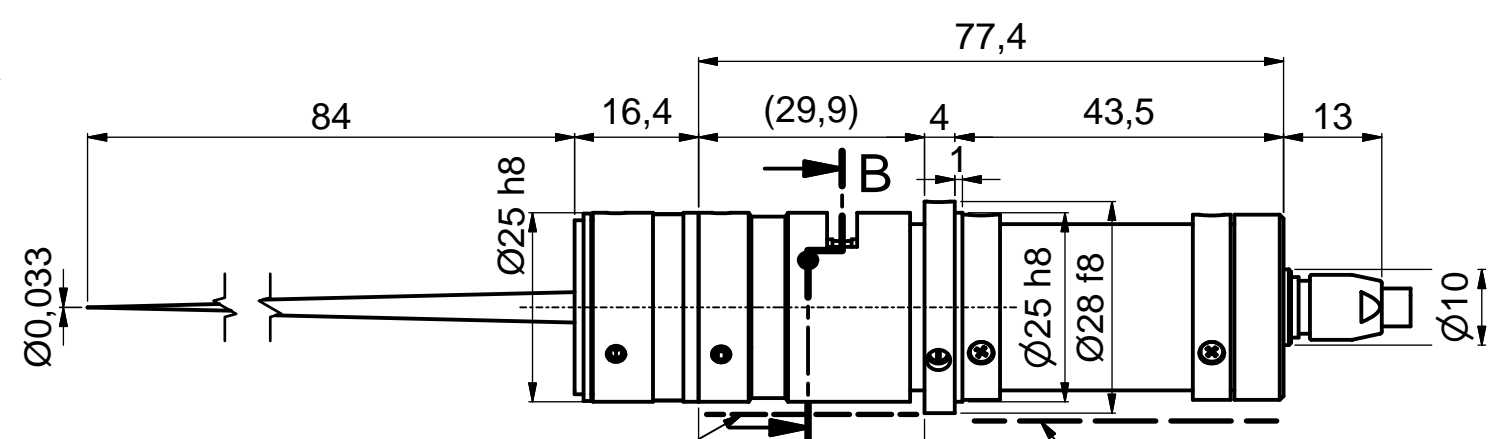


adjustment of collimation optics by rotation the optics using hex-key 50HD-15



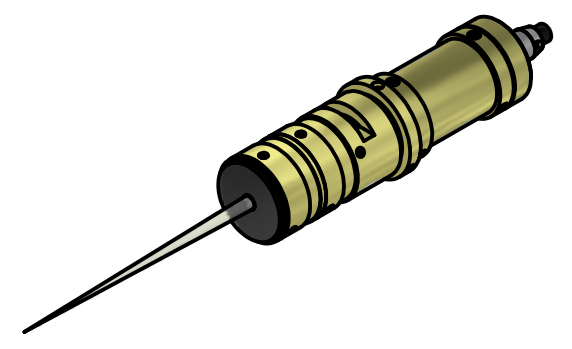
B-B

screws for locking optics position (2x120°) using hex-key 50HD-15



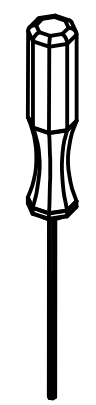
Housing of electronics. Sensitive to radial force -not usable for attachment!

Clamping region for mounting



Tools for assambly and adjustment

hex-key size 1.5mm 50HD-15



		Allgemein-toleranz ISO 2768 - f		Maßstab: 1:1	
				LNC-13MM+56CM	
		Datum	Name	LNC-13MM+56CM	
		Bearb. 03.05.2018	Trapp		
		Gepr.			
		Norm		Laser Diode Modules with Low Coherence	
		Schäfter&Kirchhoff		Blatt A3	
		OPTO-SENSORIK UND MESSTECHNIK		9304-1200-0111	
		OPTIK-ENTWICKLUNG-ELEKTRONIK-SENSORTECHNIK-SOFTWARE		Blatt: 1	
Zust.	Änderungen	Datum	Name	Datei: 930412000111.idw	Model: 930412000111.iam