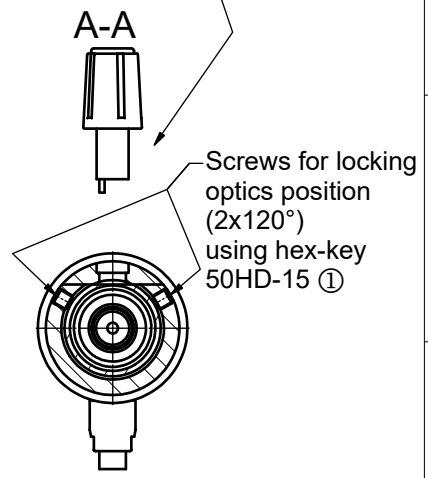
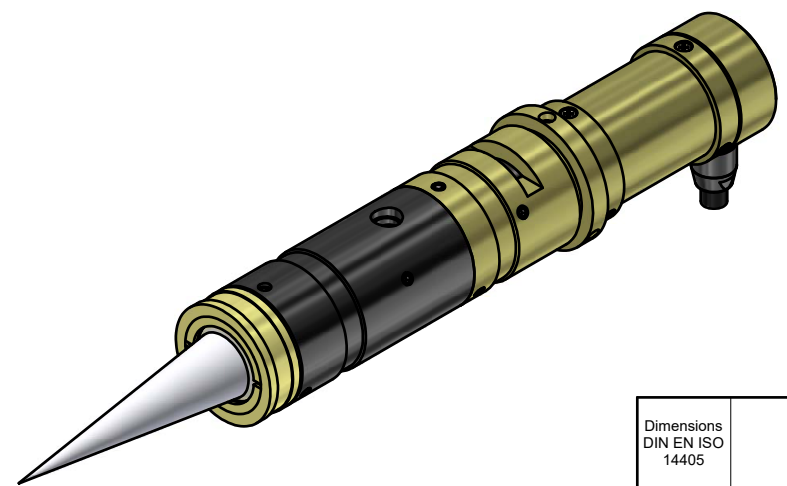


Adjustment of collimation optics using eccentric-key 55EX-5 ②

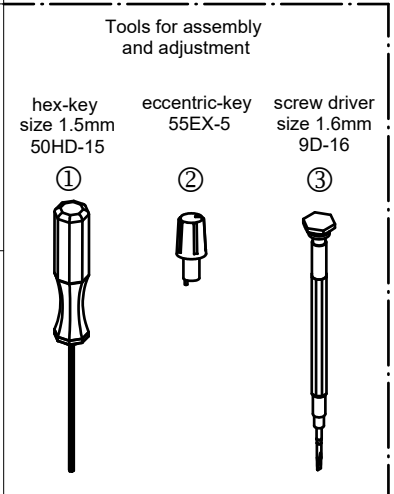


Housing of electronics. Sensitive to radial force -not usable for attachment!



! Don't touch any other screws !

For information only  
Not for manufacturing purposes



Dimensions DIN EN ISO 14405		Scale: 1:1		13MC+ 95CR	
		Date 23.03.2023		Name Trapp	
		editor		13MC+ 95CR+8	
		exam.		Laser Diode Modules	
		free		Customer Drawing	
		Schäfter+Kirchhoff OPTICS, METROLOGY, AND PHOTONICS		9512-1000-0058	
		File: 951210000058.idw		Model: 951210000058.iam	
				Sheet: A3	
				Page: 1	