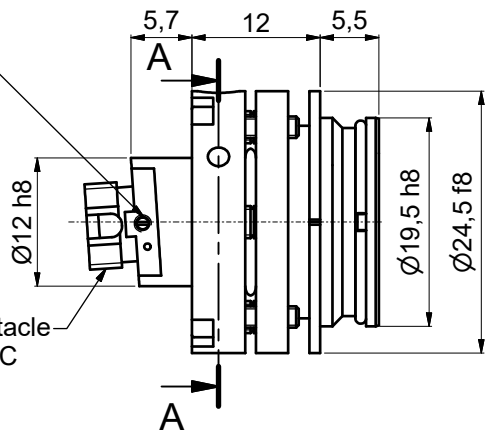


②! Pin screw for additional locking of the fiber ferrule:
 - before pulling the FC-connector:
 unlock the pin screw.
 - before inserting the FC-connector:
 make sure the ferrule receptacle is not blocked
 by the pin screw !



Fiber receptacle
 type FC-APC
 (wide key)

clamp screws for locking
 optics position (2x120°)
 using screw-driver size 1.2mm 9D-12 ②

Thrust and tension screw (3x120°)
 for tilt adjustment
 with hex key wrench size 1.5mm
 50HD-15 ①

Thrust screw M3 max.torque 50Ncm

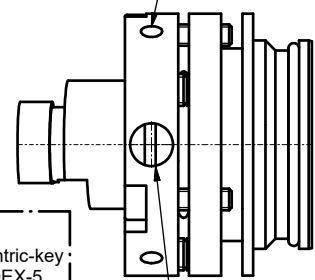
Tension screw M2 max.torque 40Ncm

adjustment of focus setting
 using eccentric-key 60EX-x

③ ④

A-A

clamp screws
 for locking optics position (2x120°)
 using screw-driver size 1.2mm
 9D-12 ②

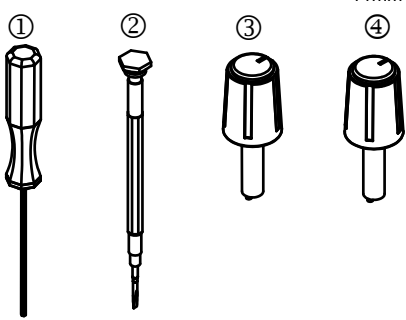


adjustment of focus setting
 using eccentric-key 60EX-x

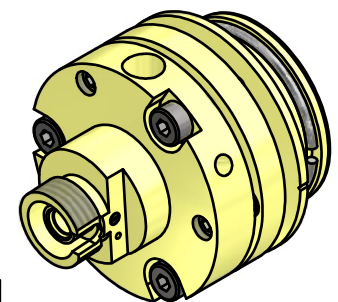
③ ④

Tools for assembly and adjustment

hex-key size 1.5mm 50HD-15	screw driver size 1.2mm 9D-12	eccentric-key 60EX-4 focal length ≤11mm	eccentric-key 60EX-5 focal length >11mm
----------------------------------	-------------------------------------	--	--



! Don't touch any other screws !



Allgemein- toleranz ISO 2768 - f		Maßstab: 2:1
Bearb. 23.04.2018 A. Trapp		60SMS-1-4-xx-xx
Gepr.		Laser beam coupler
Norm		60SMS-1-4-XX-xx
Schäfter&Kirchhoff OPTO-SENSORIK UND MESSTECHNIK OPTIK-ENTWICKLUNG/ELEKTRONIK/SENSORTECHNIK/SOFTWARE		0108-2119-0300
Zust.	Änderungen	Blatt A3
Datum	Name	Blatt 1
Datei: 010821190300.idw	Model: 010821190300.iam	