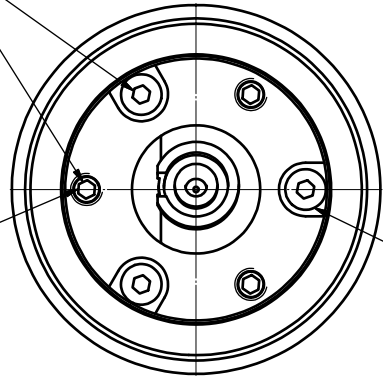


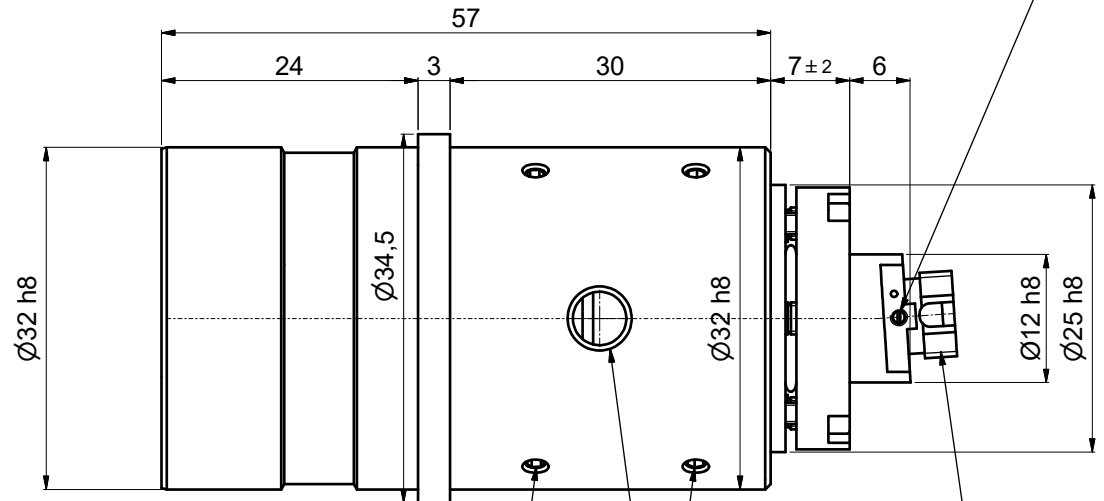
Thrust and tension screw (3x120°)  
for tilt adjustment  
with hex key wrench size 1.5mm  
50HD-15 ①



Thrust screw M3 max.torque 50Ncm

Tension screw M2 max.torque 40Ncm

! Pin screw for additional locking of the fiber ferrule:  
- before pulling the FC-connector:  
unlock the pin screw.  
- before inserting the FC-connector:  
make sure the ferrule receptacle is not blocked  
by the pin screw !



Fiber receptacle  
type FC-APC  
(wide key)

Stop screw (3x120°) for locking  
optics position  
using hex key 1.5mm  
50HD-15 ①

adjustment of focus setting  
using eccentric-key 55EX-5 ③

! Don't touch any other screws !

hex-key  
size 1.5mm  
50HD-15

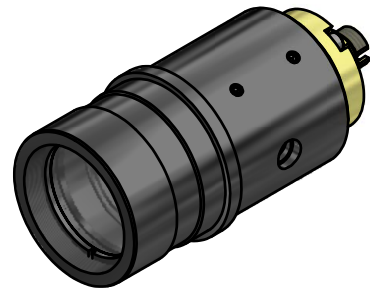
screw driver  
size 1.2mm  
9D-12

eccentric-key  
55EX-5

①

②

③



Allgemein- toleranz ISO 2768 - f		Maßstab: 2:1	
Bearb. 21.03.2017		60FC-T-4-M60L-xx	
Gepr.		Datum Name	
Norm		Tp	
Schäfter&Kirchhoff		Fiber collimator f60	
OPTO-SENSORIK UND MESSTECHNIK		Fiber receptacle type FC-APC	
OPTIK-ENTWICKLUNG/ELEKTRONIK/MESS- UND VERBUNDTECHNIK/OF/FAKES		9802-4186-8800	
Zust.	Änderungen	Datum	Name
Datei: 980241868800.idw		Blatt A3	
Model: 980241868800.iam		Blatt 2	