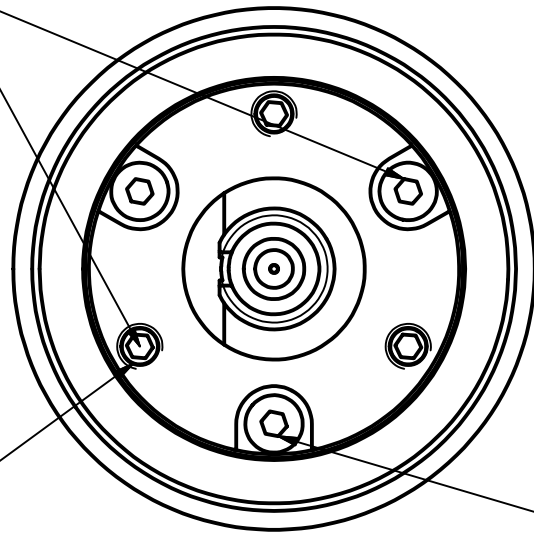


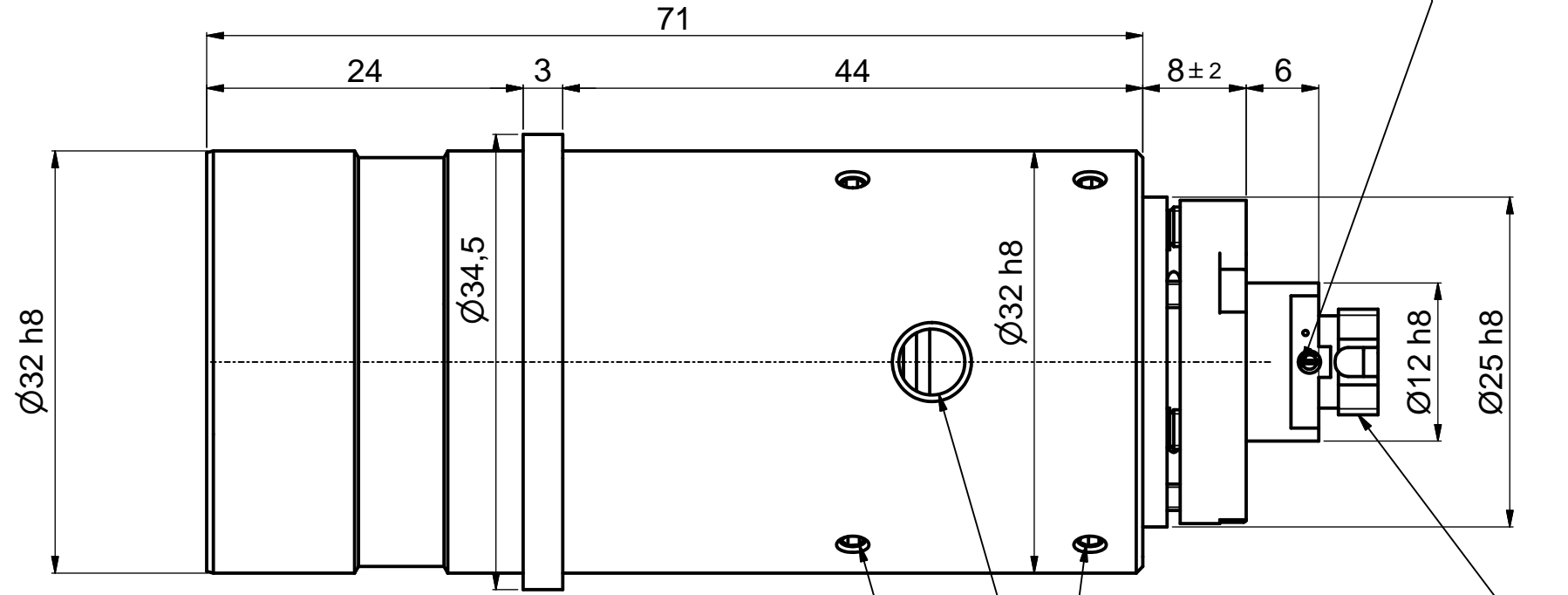
Thrust and tension screw (3x120°)
for tilt adjustment
with hex key wrench size 1.5mm
50HD-15 ①



Thrust screw M3 max.torque 50Ncm

Tension screw M2 max.torque 40Ncm

! Pin screw for additional locking of the fiber ferrule:
- before pulling the FC-connector:
unlock the pin screw.
- before inserting the FC-connector:
make sure the ferrule receptacle is not blocked
by the pin screw !



clamp screws for locking optics position (3x120°)
using hex-key size 1.5mm
50HD-15 ①

adjustment of focus setting
using eccentric-key 55EX-5 ③

Fiber receptacle
type FC-PC

hex-key size 1.5mm 50HD-15
screw driver size 1.2mm 9D-12
eccentric-key 55EX-5

①



②



③



! Don't touch any other screws !

		Allgemeintoleranz ISO 2768 - f	Maßstab: 2:1
			60FC-T-0-M75-xx
	Datum	Name	Fiber collimator f'75
Bearb.	27.01.2017	Tp	
Gepr.			
Norm			Fiber receptacle type FC-PC
		Schäfter&Kirchhoff	9802-4186-2200
		OPTO-SENSORIK UND MESSTECHNIK OPTIK-ENTWICKLUNG-ELEKTRONIK-SENSORTECHNIK-SOFTWARE	
Zust.	Änderungen	Datum	Blatt A3
Datei: 980241862200.idw		Model: 980241862200.iam	Blatt: 2