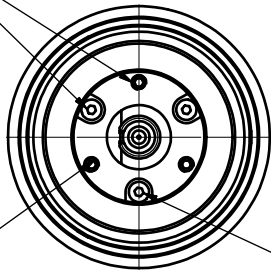


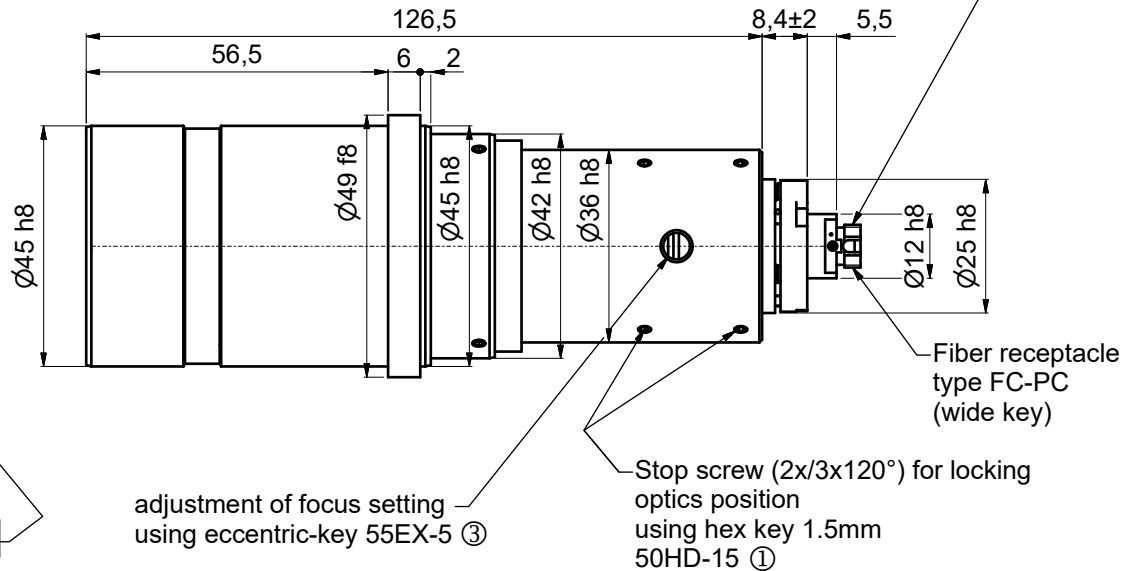
Thrust and tension screw (3x120°)
for tilt adjustment
with hex key wrench size 1.5mm
50HD-15 ①



Thrust screw M3 max.torque 50Ncm

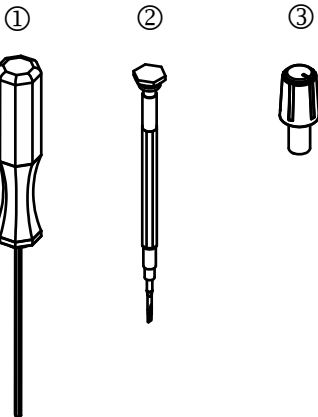
Tension screw M2 max.torque 40Ncm

- ! Pin screw for additional locking of the fiber ferrule:
- before pulling the FC-connector:
unlock the pin screw.
 - before inserting the FC-connector:
make sure the ferrule receptacle is not blocked
by the pin screw !



Tools for assembly and adjustment

hex-key size 1.5mm 50HD-15 screw driver size 1.2mm 9D-12 eccentric-key 55EX-5



For information only
Not for manufacturing purposes

! Don't touch any other screws !

Allgemein- toleranz ISO 2768 - f		Maßstab: 2:1	
Bearb. 27.02.2020		Name A.Trapp	
Gepr.		60FC-T-0-M125-xx	
Norm		Fiber receptacle type FC-AP	
Schäfter&Kirchhoff OPTO-SENSORIK UND MESSTECHNIK OPTIK-ENTWICKLUNG/ELEKTRONIK/SENSORTECHNIK/OPTEMIK		9802-4150-0030	
Zust.	Änderungen	Datum	Name
Datei: 980241500030.idw		Modell: 980241500030.iam	
			Blatt A3 Blatt 1