

Thrust and tension screw (3x120°)
for tilt adjustment
with hex key wrench size 1.5mm
50HD-15 ①

clamp screws
for accessory optics (3x120°)
(not included)
using hex-key size 1.5mm
50HD-15 ①

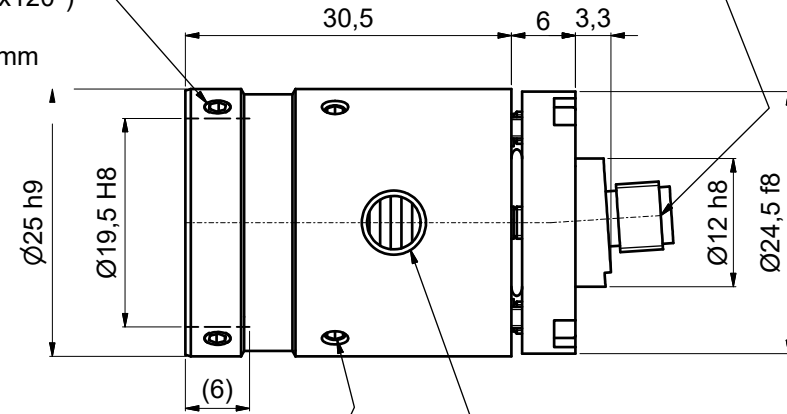
Fiber receptacle
type FC-SMA-905
High Power Connector (8° polish)

Thrust screw M3 max.torque 50Ncm

Tension screw M2 max.torque 40Ncm

clamp screws for locking optics position (2x120°)
using hex-key size 1.5mm
50HD-15 ①

adjustment of focus setting
using eccentric-key 55EX-5 ②



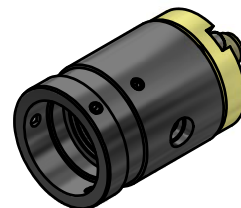
Tools for assembly and adjustment

hex-key
size 1.5mm
50HD-15

eccentric-key
55EX-5

①

②



! Don't touch any other screws !

Dimensions DIN EN ISO 14405					Scale: 2:1	
60FC-SMA-T-4-f'4.5-25						
Fiber collimator f'4.5-25 Type FC-SMA-905 High Power Connector (8° polish)						
Customer Drawing						
Schäfter+Kirchhoff OPTICS, METROLOGY, AND PHOTONICS					9803-1209-0400	Size: A3
File: 980312090400.idw					Model: 980312090400.iam	Page: 1