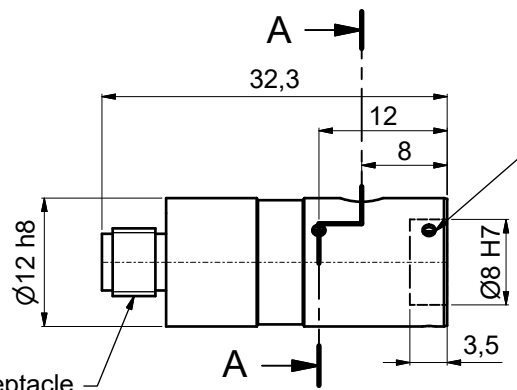
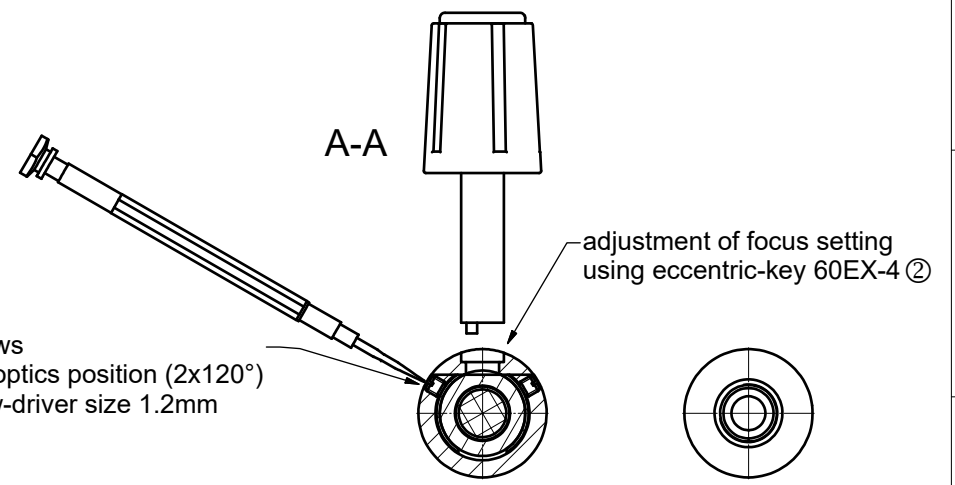


clamp screws  
for locking of lens attachments (3x120°)  
screws not included



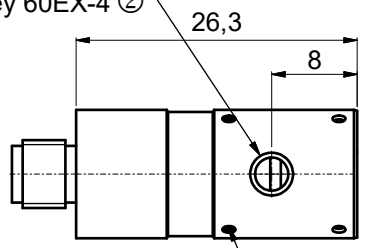
Fiber receptacle  
type FC-SMA

A-A

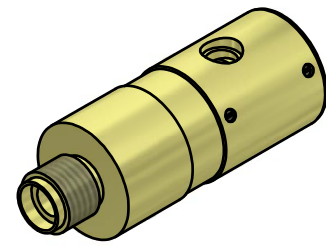


clamp screws  
for locking optics position (2x120°)  
using screw-driver size 1.2mm  
9D-12 ①

adjustment of focus setting  
using eccentric-key 60EX-4 ②



clamp screws for locking optics position (2x120°)  
using screw-driver size 1.2mm  
9D-12 ①



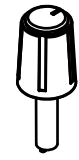
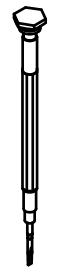
Tools for assembly and adjustment

screw driver  
size 1.2mm  
9D-12

eccentric-key  
60EX-4

①

②



**! Don't touch any other screws !**

		Allgemein- toleranz ISO 2768 - f		Maßstab:	
		Datum 14.06.2016		Name Tp	
		Gepr.		Fiber collimator f' 1.5 to 12mm	
		Norm		60FC-SMA-0-00	
		Schäfter&Kirchhoff OPTO-SENSORIK UND MESSTECHNIK		9709-2052-0558	
		OPTIK-ENTWICKLUNG/ELEKTRONIK/SENSORTECHNIK/OPTIKFIBRE		Blatt A3	
Zust.		Änderungen		Datum	
Name		Datei: 970920520558.idw		Modell: 970920520558.iam	
				Blatt: 2	