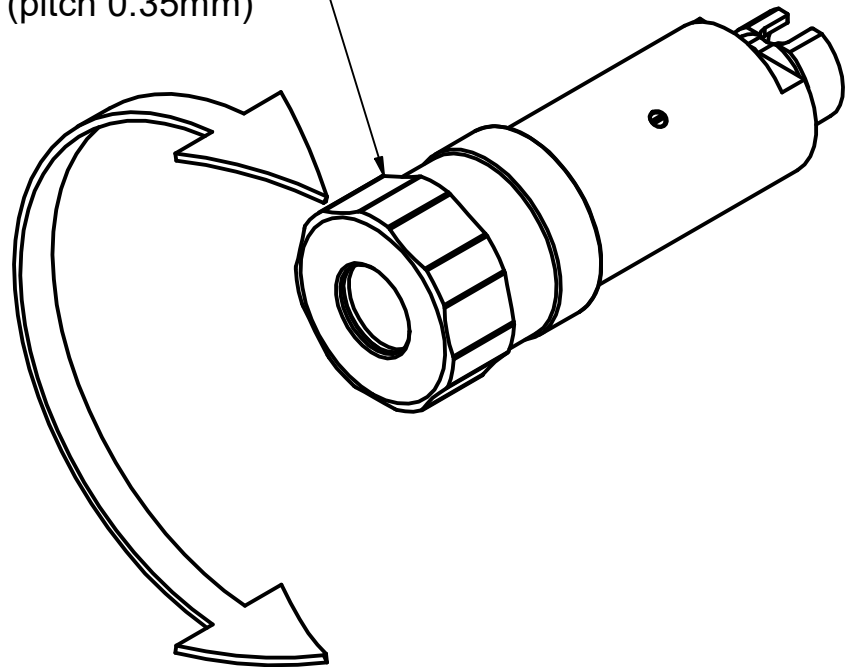
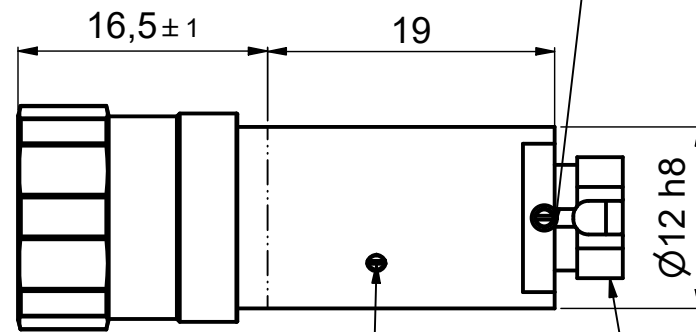


rotate fluted ring
for focus setting
(pitch 0.35mm)



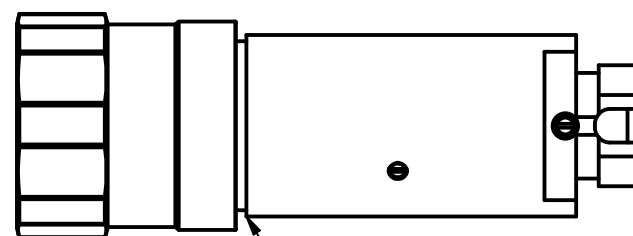
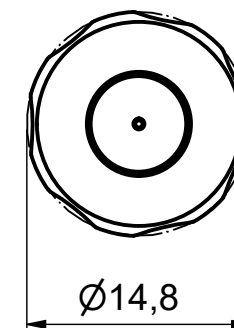
designated area for
fixation or mounting



Do not touch!

Pin screw for additional locking of the fiber ferrule:
- before pulling the FC-connector:
unlock the pin screw with screw driver 9D-12 ①
- before inserting the FC-connector:
make sure the ferrule receptacle
is not blocked by the pin screw

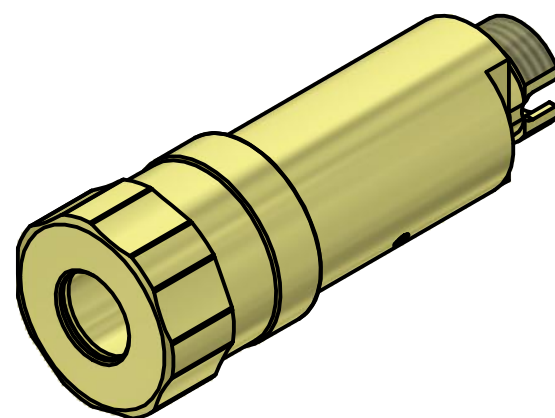
Fiber receptacle
type FC-PC
(wide key)



stop further turning
if you see gap

Tools for assembly
and adjustment

screw driver
size 1.2mm
9D-12 ①



For information only
Not for manufacturing purposes

Dimensions DIN EN ISO 14405					Scale: 2:1		
					60FC-SF-0-xx		
			Date	Name	Fiber collimator with fine focus		
			editor	20.02.2020	Lamott	60FC-SF-0-xx f'4.5-18mm	
			exam.			Customer Drawing	
			free				
			Schäfter+Kirchhoff OPTICS, METROLOGY, AND PHOTONICS			9709-2002-0482	Size: A3
			File: 970920020482.idw			Model: 970920020482.iam	Page: 1