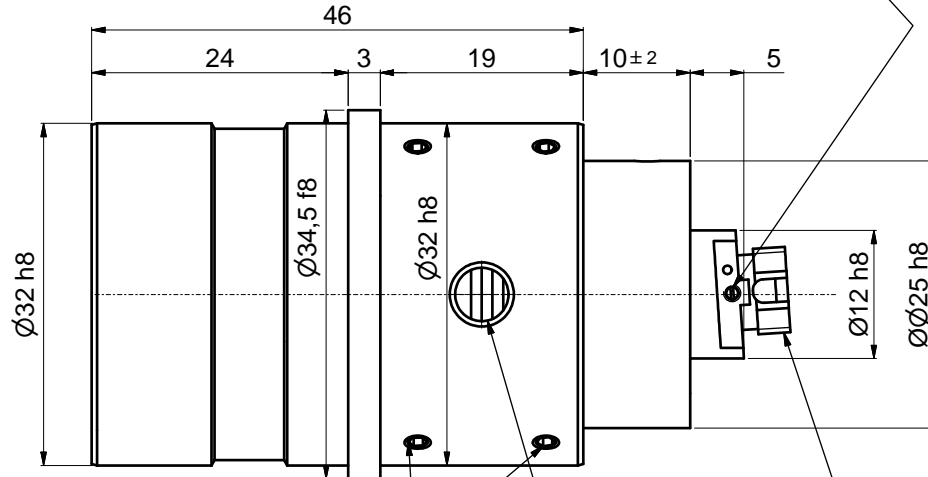


! Pin screw for additional locking of the fiber ferrule:
 - before pulling the FC-connector:
 unlock the pin screw.
 - before inserting the FC-connector:
 make sure the ferrule receptacle is not blocked
 by the pin screw !



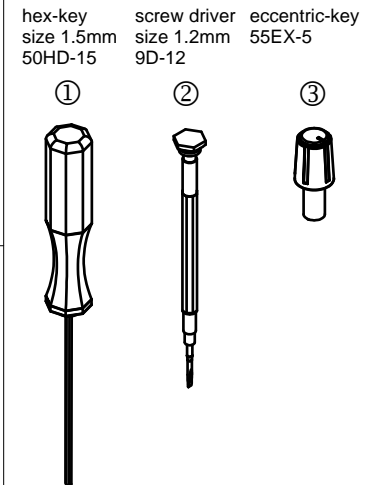
clamp screws for locking optics position (3x120°)
 using hex-key size 1.5mm
 50HD-15 ①

adjustment of focus setting
 using eccentric-key 55EX-5 ③

Fiber receptacle
 type FC-APC
 (wide key)



! Don't touch any other screws !



Allgemeintoleranz ISO 2768 - f		Maßstab: 2:1	
Datum 09.03.2015		Name Tp	
60FC-L-4-0-M50L-xx			
Fiber collimator f'50			
Fiber receptacle type FC-APC			
Schäfter&Kirchhoff OPTO-SENSORIK UND MESSTECHNIK			Blatt A3
Datei: 980241888100.idw			Blatt: 2
Zust.		Änderungen	
Datum		Name	
Datei: 980241888100.idw		Modell: 980241888100.iam	