

! Pin screw for additional locking of the fiber ferrule:
 - before pulling the FC-connector:
 unlock the pin screw.
 - before inserting the FC-connector:
 make sure the ferrule receptacle is not blocked
 by the pin screw !

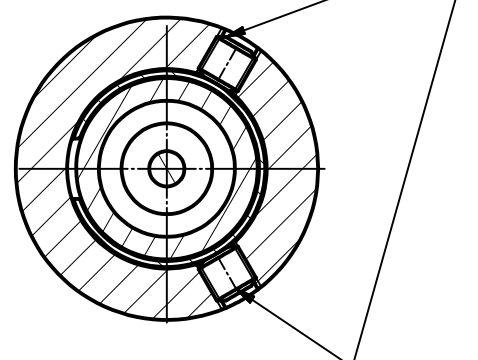
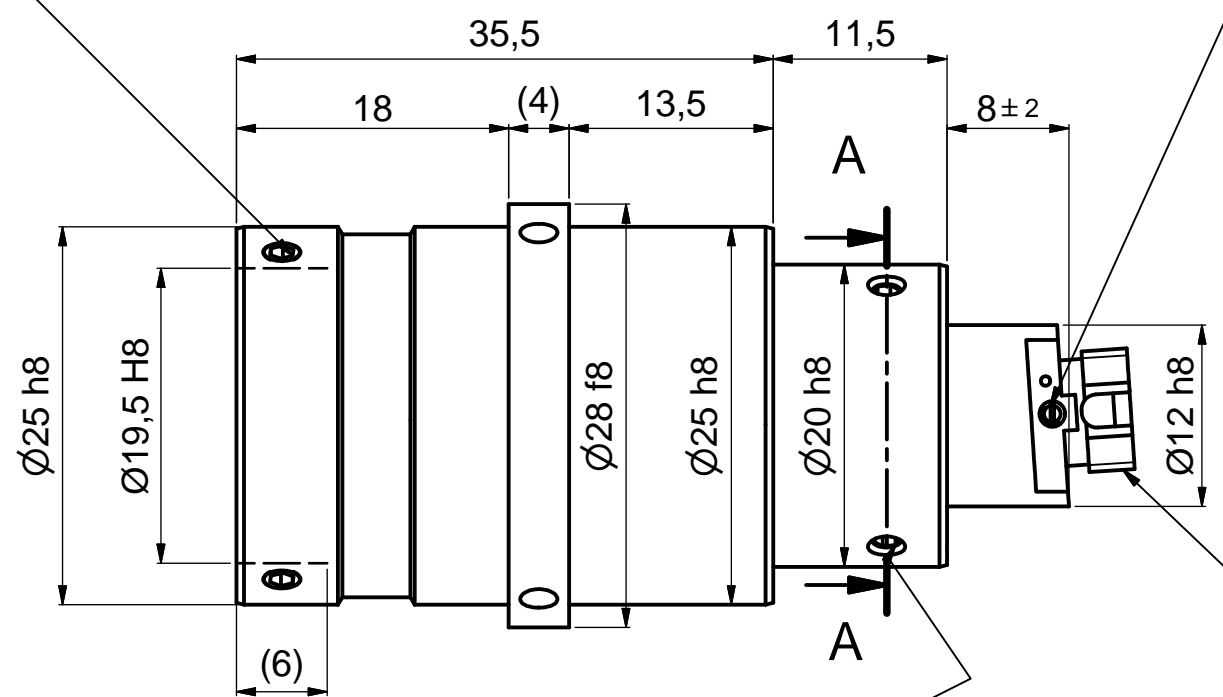
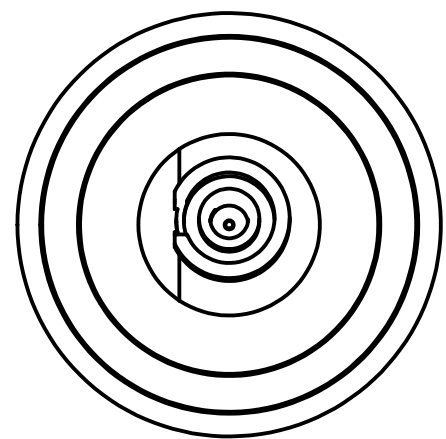
clamp screws
 for accessory optics (3x120°)
 using hex-key size 1.5mm
 50HD-15 ①

A-A
 clamp screws for adjustment
 fiber collimator (2x120°)
 using hex-key size 1.5mm
 50HD-15 ①

clamp screws for locking focus setting (2x120°)
 using hex-key size 1.5mm
 50HD-15 ①

Fiber receptacle
 type FC-APC
 (wide key)

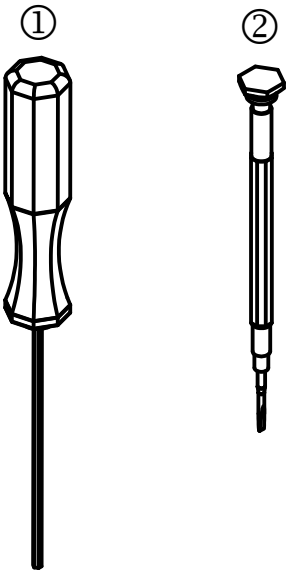
! Don't touch any other screws !



Tools for assembly and adjustment

hex-key
 size 1.5mm
 50HD-15

screw driver
 size 1.2mm
 9D-12



		Allgemein- toleranz ISO 2768 - f	Maßstab: 2:1
			60FC-L-4-M35-xx 60FC-L-4-M40-xx
	Datum	Name	Fiber Collimator f'35-40
	Bearb. 08.06.2016		
	Gepr.		
	Norm		
Schäfter&Kirchhoff OPTO-SENSORIK UND MESSTECHNIK OPTIK-ENTWICKLUNG-ELEKTRONIK-SENSORTECHNIK-SOFTWARE			Blatt A3
Datei: 951210190124.idw			9512-1019-0124
Zust.	Änderungen	Datum	Blatt: 1
Datei: 951210190124.idw			Modell: 951210190124.iam