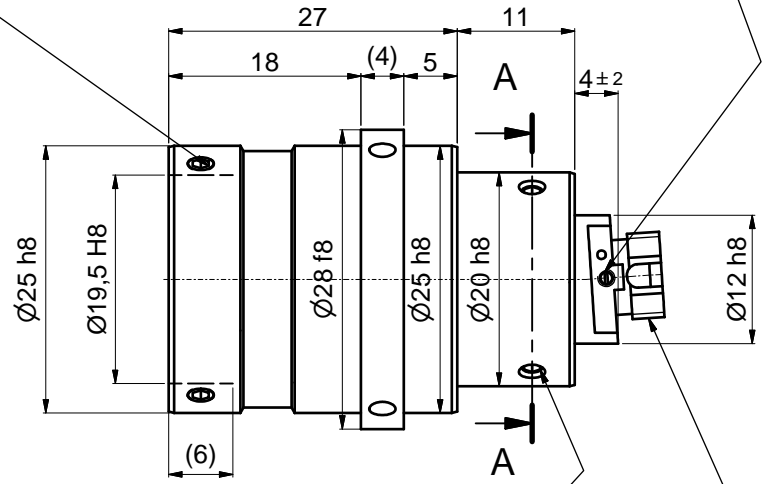
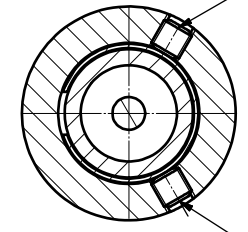


clamp screws for accessory optics (3x120°) using hex-key size 1.5mm 50HD-15 ①

! Pin screw for additional locking of the fiber ferrule:
 - before pulling the FC-connector: unlock the pin screw.
 - before inserting the FC-connector: make sure the ferrule receptacle is not blocked by the pin screw !



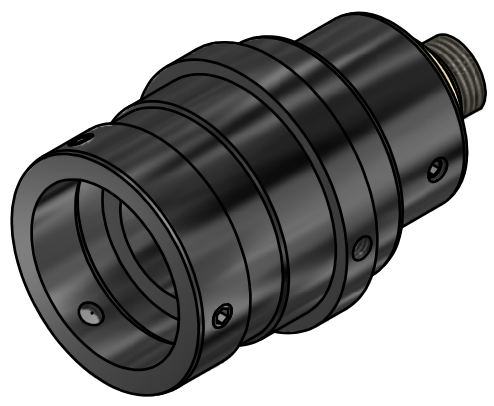
clamp screws for adjustment fiber collimator (2x120°) using hex-key size 1.5mm 50HD-15 ①



clamp screws for locking focus setting (2x120°) using hex-key size 1.5mm 50HD-15 ①

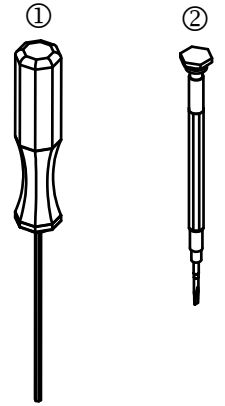
Fiber receptacle type FC-APC

! Don't touch any other screws !



Tools for assembly and adjustment

hex-key size 1.5mm 50HD-15 ①
 screw driver size 1.2mm 9D-12 ②



Allgemeintoleranz ISO 2768 - f		Maßstab: 2:1	
60FC-L-4-M20L-xx		60FC-L-4-M25-xx	
60FC-L-4-M30-xx			
Datum 17.10.2016		Name Tp	
Bearb.		Gepr.	
Norm			
Schäfter&Kirchhoff OPTO-SENSORIK UND MESSTECHNIK OPTIK-ENTWICKLUNG/ELEKTRONIK/SORTIMENTE/OPTIKFIBRE			Blatt A3
9512-1019-0127			Blatt 1
Zust.	Änderungen	Datum	Name
Datei: 951210190127.idw		Modell: 951210190127.iam	