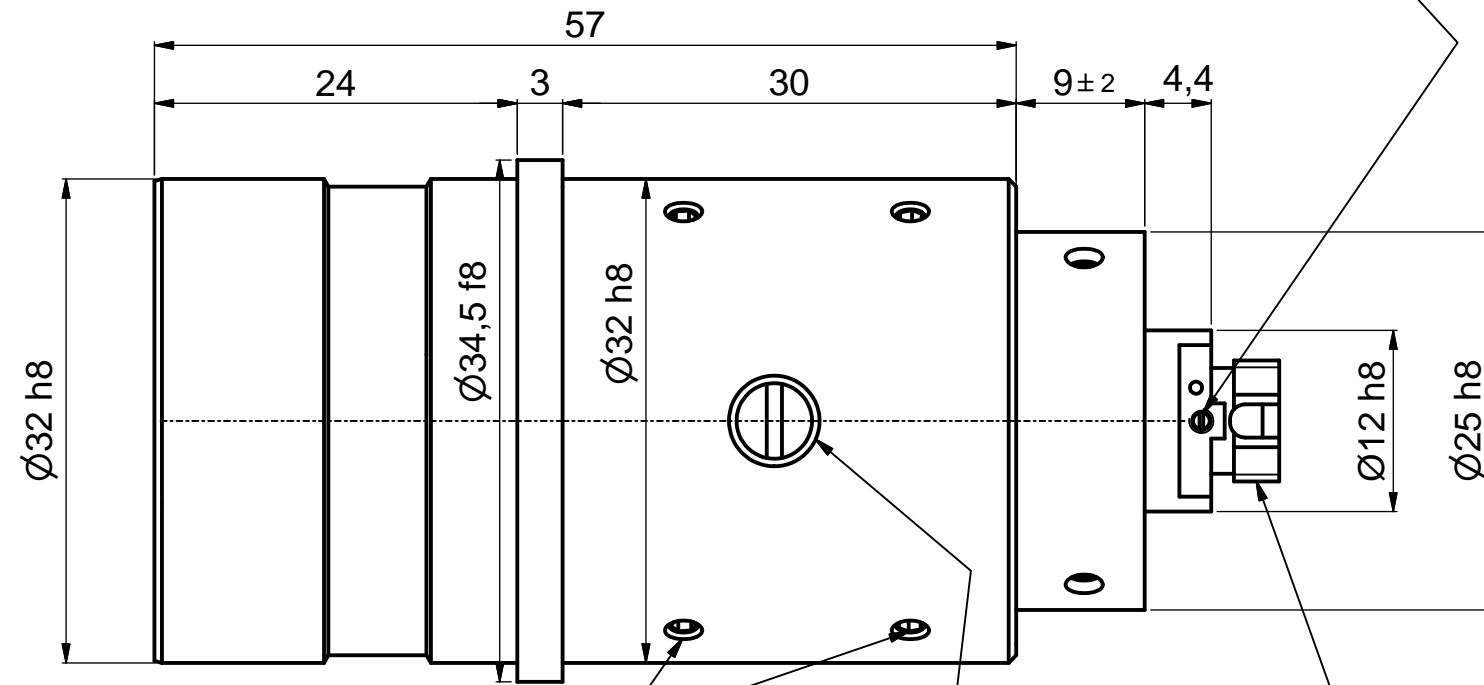


! Pin screw for additional locking of the fiber ferrule:
 - before pulling the FC-connector:
 unlock the pin screw.
 - before inserting the FC-connector:
 make sure the ferrule receptacle is not blocked
 by the pin screw !

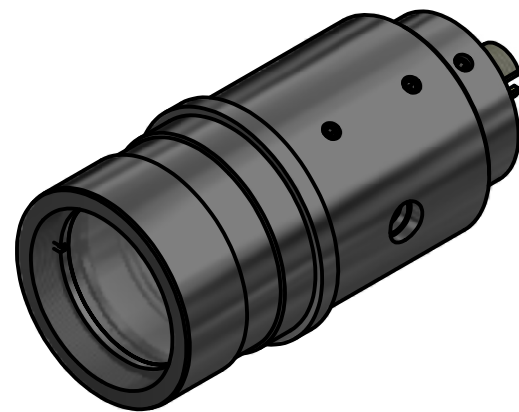
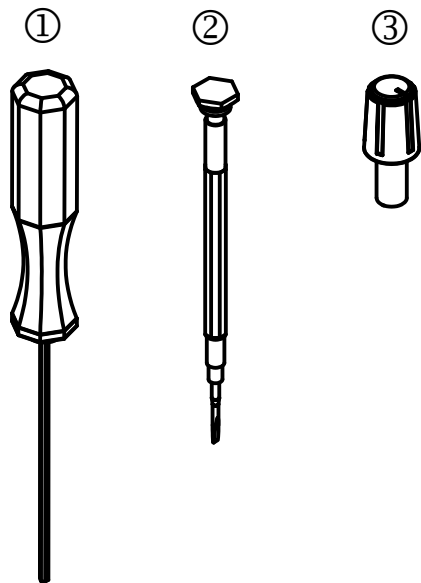


clamp screws for locking optics position (3x120°)
 using hex-key size 1.5mm
 50HD-15 ①

adjustment of focus setting
 using eccentric-key 55EX-5 ③

Fiber receptacle
 type FC-PC
 (wide key)

hex-key size 1.5mm 50HD-15 ①
 screw driver size 1.2mm 9D-12 ②
 eccentric-key 55EX-5 ③



! Don't touch any other screws !

		Allgemeintoleranz ISO 2768 - f		Maßstab: 2:1	
		60FC-L-0-M60L-xx			
		Datum		Name	
		01.03.2017		Tp	
		Bearb.			
		Gepr.			
		Norm			
		Schäfter&Kirchhoff			
		OPTO-SENSORIK UND MESSTECHNIK			
		OPTIK-ENTWICKLUNG-ELEKTRONIK-SENSORTECHNIK-SOFTWARE			
		Datei: 980241888500.idw		Blatt A3	
		Zust. Änderungen Datum Name		Blatt: 2	
		Datei: 980241888500.idw		Modell: 980241888500.iam	

Fiber collimator f'60

Fiber receptacle type FC-PC

9802-4188-8500

Modell: 980241888500.iam