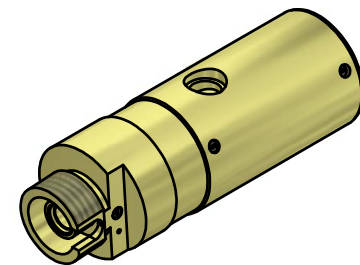
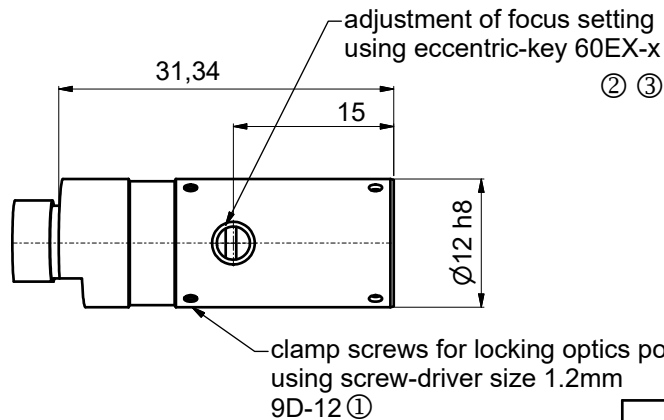


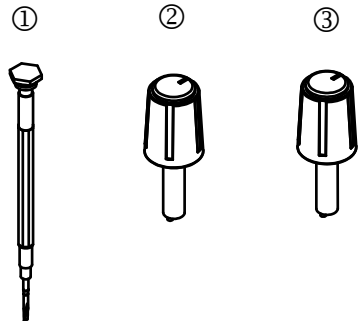
! Pin screw for additional locking of the fiber ferrule:  
 - before pulling the FC-APC-connector:  
 unlock the pin screw.  
 -before inserting the FC-APC-connector:  
 make sure the ferrule is not blocked  
 by the pin screw !  
 ( using screw-driver size 1.2mm 9D-12 ① )



**! Don't touch any other screws !**

Tools for assembly and adjustment

- |                                     |  |  |
|-------------------------------------|--|--|
| screw driver<br>size 1.2mm<br>9D-12 | eccentric-key<br>60EX-4<br>focal length<br>≤11mm | eccentric-key<br>60EX-5<br>focal length<br>>11mm |
|-------------------------------------|--|--|



Allgemein- toleranz ISO 2768 - f		Maßstab:	
Bearb.	Datum	Name	<b>Fiber collimator f' 15 to 20 mm</b>
Gepr.	14.06.2016	A. Trapp	
Norm			
Schäfter&Kirchhoff OPTO-SENSORIK UND MESSTECHNIK <small>OPTIK-ENTWICKLUNG · ELEKTRONIK · MESSTECHNIK · SOFTWARE</small>			60FC-4-XX-xx
Datei: 970920520557.idw			9709-2052-0557
Zust.	Änderungen	Datum	Blatt A3
Model: 970920520557.iam			Blatt 2