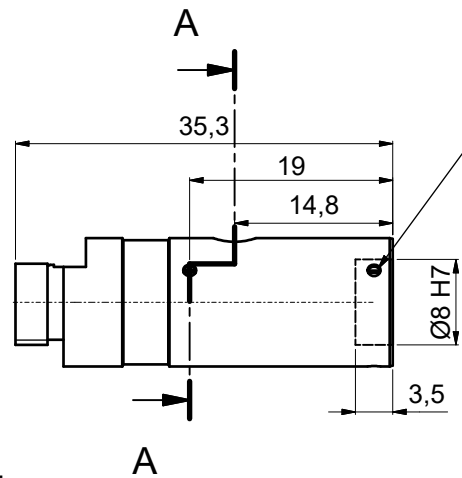
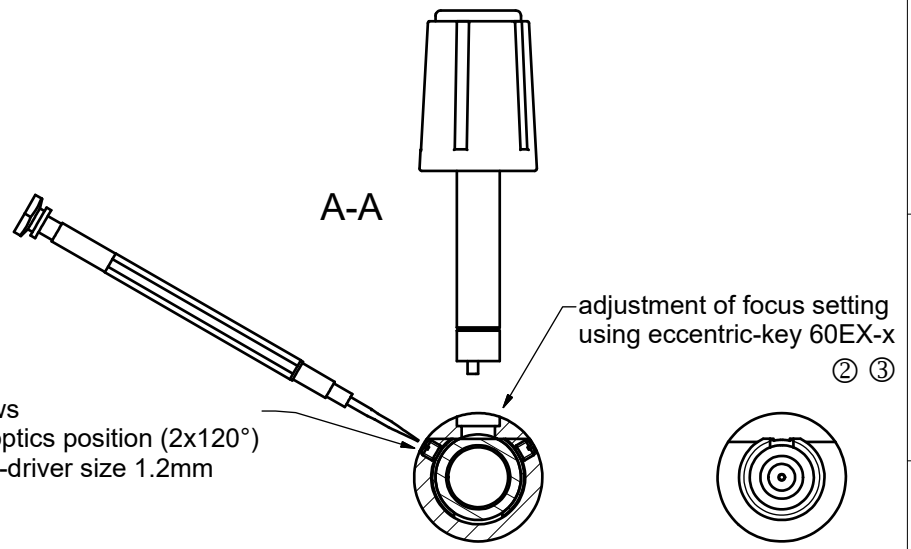


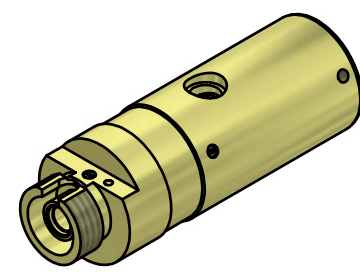
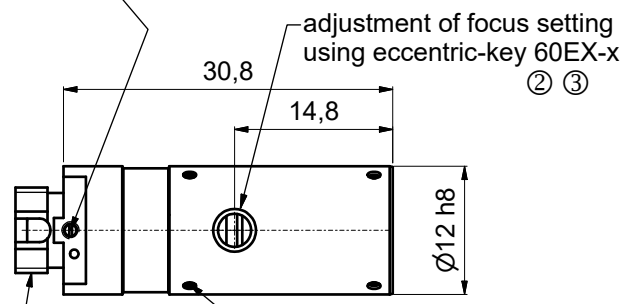
clamp screws
for locking of lens attachments (3x120°)
screws not included



clamp screws
for locking optics position (2x120°)
using screw-driver size 1.2mm
9D-12 ①



! Pin screw for additional locking of the fiber ferrule:
- before pulling the FC-APC-connector:
unlock the pin screw.
-before inserting the FC-APC-connector:
make sure the ferrule is not blocked
by the pin screw !
(using screw-driver size 1.2mm 9D-12 ①)



! Don't touch any other screws !

Tools for assembly and adjustment

screw driver size 1.2mm 9D-12	eccentric-key 60EX-4 focal length ≤11mm	eccentric-key 60EX-5 focal length >11mm
①	②	③

Fiber receptacle
type FC-PC
(wide key)

Allgemein- toleranz ISO 2768 - f		Maßstab:	
Datum 14.06.2016		Name A. Trapp	
Gepr.		Fiber collimator f' 15 to 20 mm	
Norm		60FC-0-XX-xx	
Schäfter&Kirchhoff OPTO-SENSORIK UND MESSTECHNIK OPTIK-ENTWICKLUNG/ELEKTRONIK/SENSORTECHNIK/OPTIKFABRIK		9709-2052-0560	
Zust.	Änderungen	Datum	Name
Datei: 970920520560.idw		Modell: 970920520560.iam	
		Blatt A3	
		Blatt: 2	